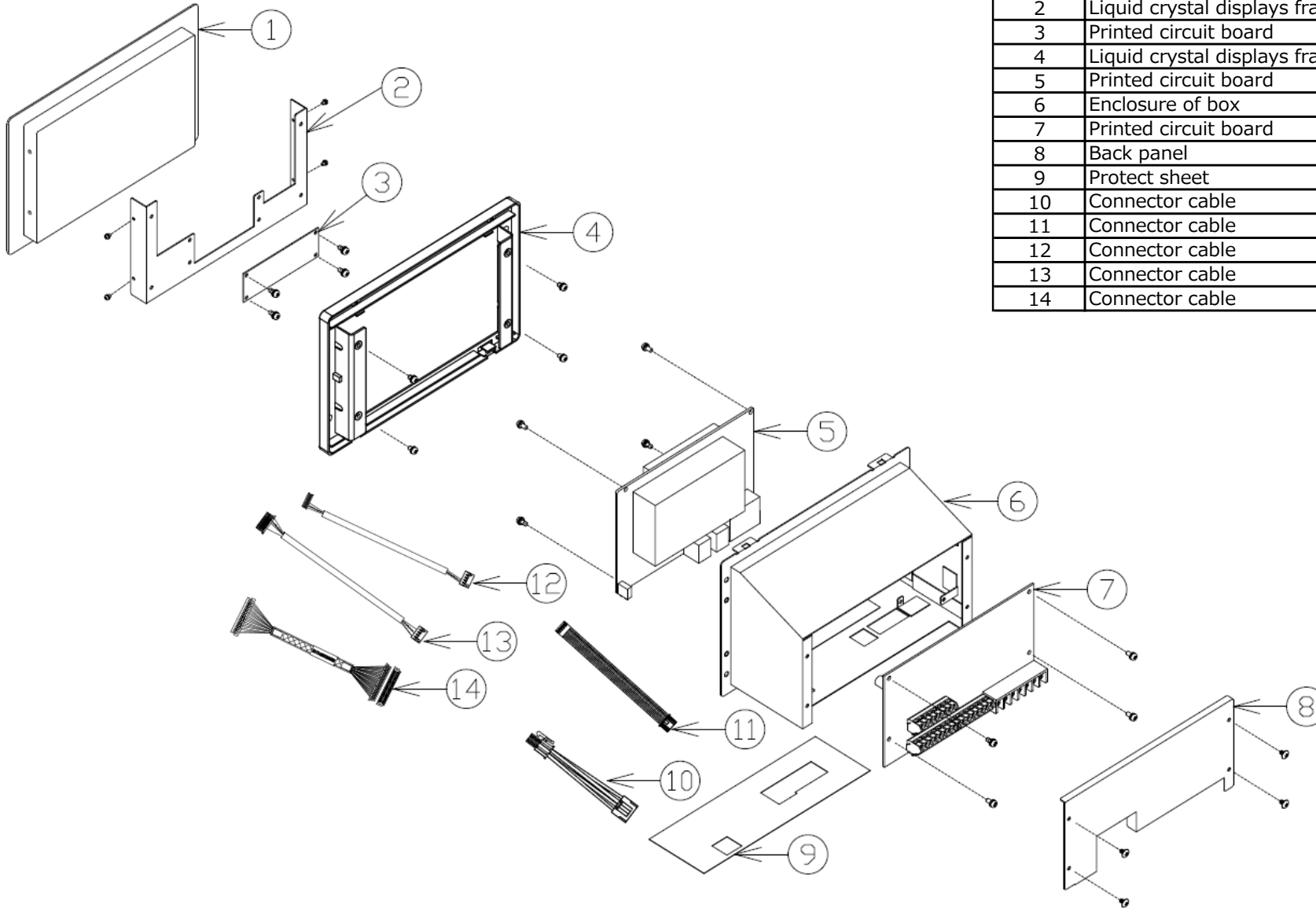


Recycle List

BMS-CT1280E, BMS-CT2560U-E



Ref. No	Description	Q'ty / Set
1	Liquid crystal displays	1
2	Liquid crystal displays frame	1
3	Printed circuit board	1
4	Liquid crystal displays frame	1
5	Printed circuit board	1
6	Enclosure of box	1
7	Printed circuit board	1
8	Back panel	1
9	Protect sheet	1
10	Connector cable	1
11	Connector cable	1
12	Connector cable	1
13	Connector cable	1
14	Connector cable	1

This recycle list is technical data for recyclers.

We are not responsible for any damage caused by disassembling the product for purposes other than recycling.

The main body can be disassembled as described above, but only spare parts are the main body and power adapter.

For more information, see spare parts list.